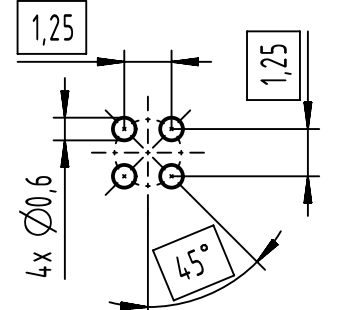
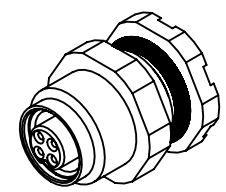
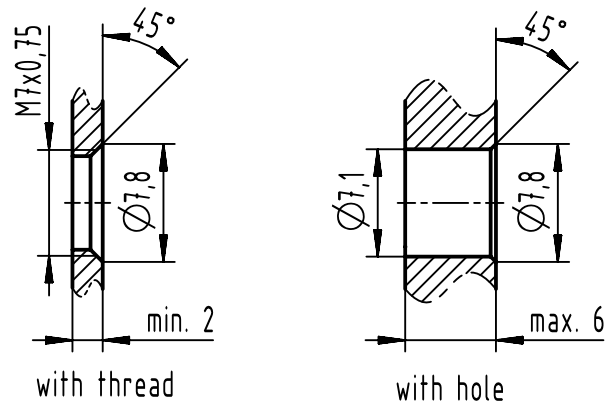


A (5:1)
recommend PCB layout



panel cut out
(2:1)



recommended PCB thickness: 1,6mm

	All rights reserved Department EL PD	All Dimensions in mm Original Size DIN A4		Scale 5:1	Free size tol.	Ref. Sub.
		Created by EISFELD	Inspected by 104.122	Standardisation	Date 2022-09-01	State Final Release
HARTING D-32339 Espelkamp		Title M5-PCB-THT-1PC-4P-ACOD-F-STR			Doc-Key / ECM-Nr. 101012882/UGD/000/B 500000223188	
		Type TB	Number 21470000011		Rev. B	Page 1/1